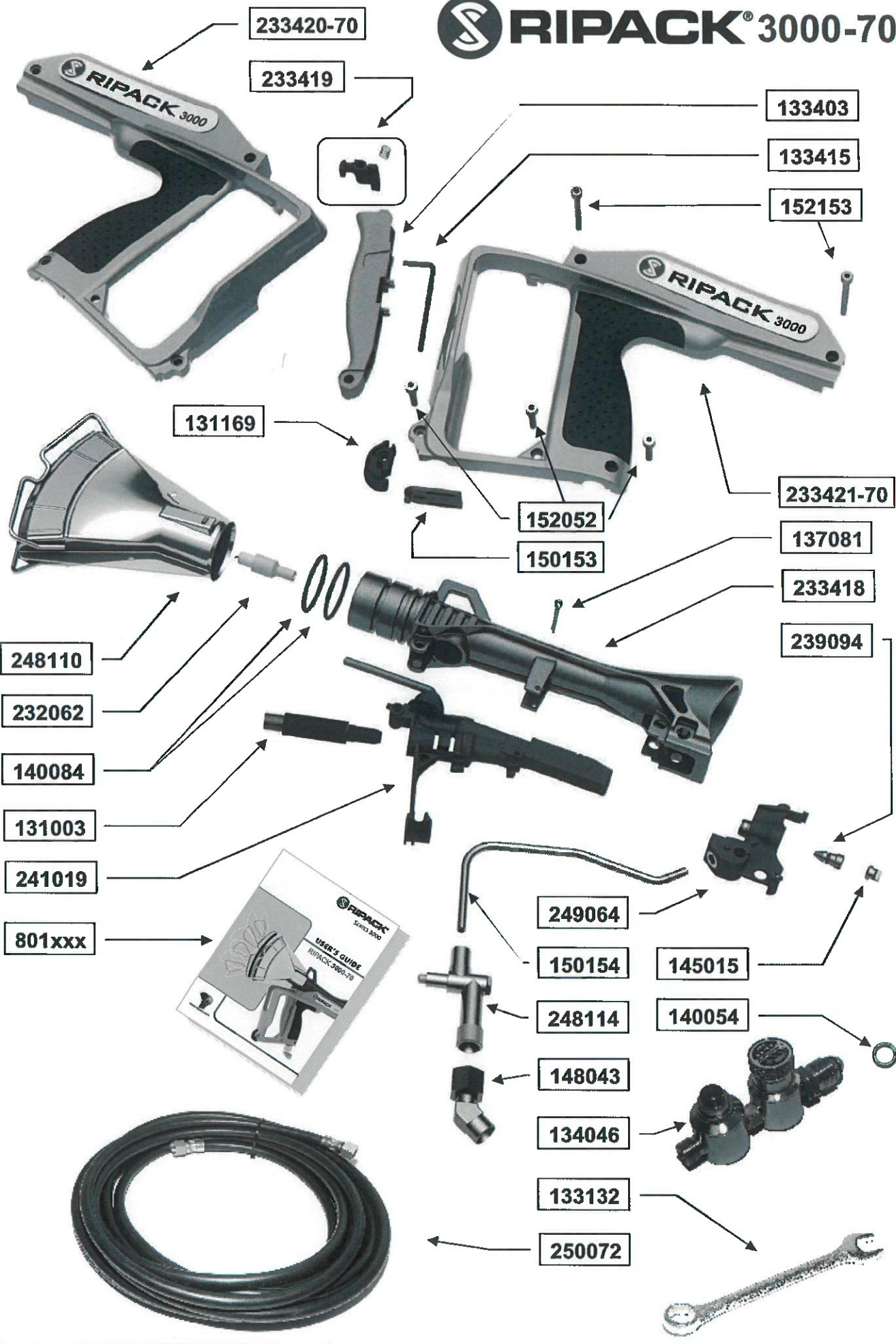
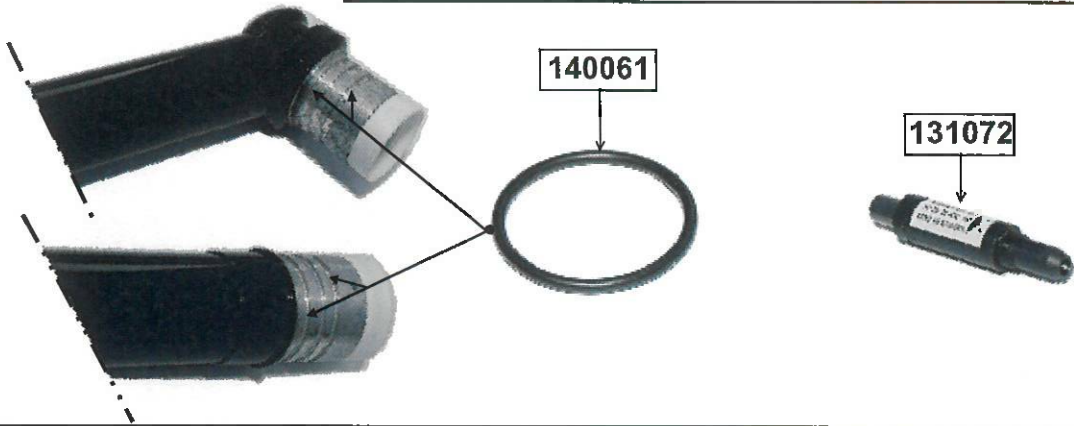


# RIPACK® 3000-70



FOR EXTENSIONS ON RIPACK SERIES 3000



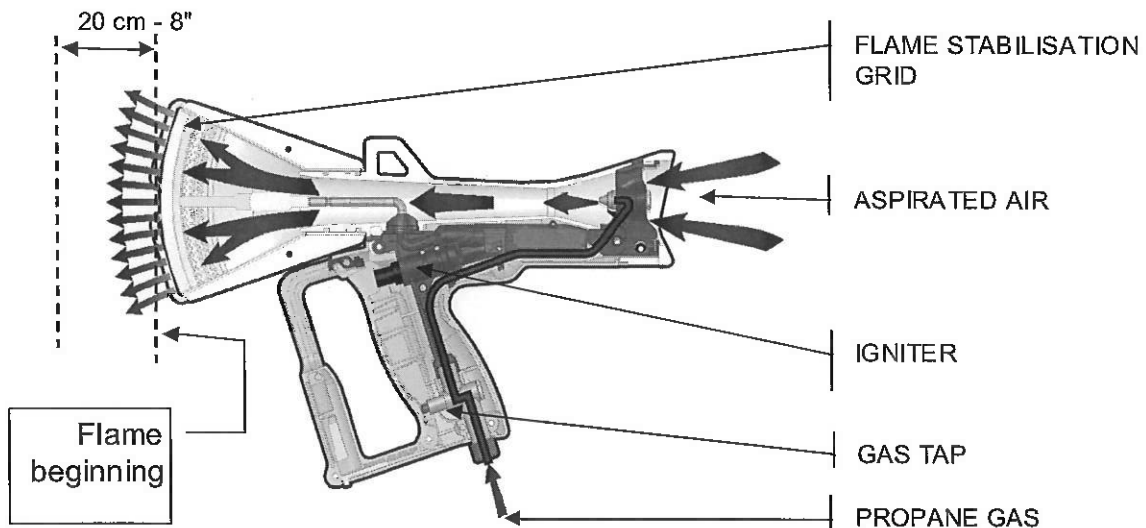
Art. Code	Description
131003	Piezo igniter for standard RIPACK 3000 , without extension
131072	Piezo igniter for RIPACK 3000 <b>with</b> extension
131169	Bumper
133132	Wrench 19
133403	Trigger
133415	Allen key
134046	SECURIPACK- including adjustable pressure regulator and double safety, UL standard
137039	MOLYKOTE grease
137081	Ground pin
140061	O-ring inside Ø 28.24 x 2.62 UL for extensions
140084	O-ring inside Ø 34,82 x 3,53
145015	Jet cover nut RIPACK SERIES 3000
148043	Swivel connector
150153	Piezo Trap
150154	Aluminium gas feed tube
152052	Screw M4x16
152153	Screw M4x35
232062	Spark plug
233418	Body with O-rings
233419	Pawl + Spring
233420-70	Half-handle, right + RIPACK 3000-70 label
233421-70	Half-handle, left + RIPACK 3000-70 label
239094	Standard jet - propane
241019	Electrical Connection Kit / standard RIPACK SERIES 3000
241020	Electrical Connection Kit / RIPACK SERIES 3000 with Extension
248110	Combustion nozzle
248114	Gas tap, UL
249064	Jet bearer complete (includes : bearer, jet, jet cover nut)
250072	High pressure hose, UL, Length 7.5 meters, with clamps and fittings
801xxx	User's manual RIPACK 3000-70

## PROPANE GAS APPLIANCE

### TECHNICAL CHARACTERISTICS:

	SI System		
Pressure (bar)	1,5	to	3,5
Power (kW)	45	to	76
Consumption (kg/h)	2,9	to	5,2
Air intake (m <sup>3</sup> /h)	39	to	70
CO emission vol %	0.0052	to	0.0021
CO <sub>2</sub> emission vol %	2,81	to	4
Noise level	<85 dbA		
Length	37,5 cm		
Weight	1220 g		
Energy source	Propane gas		
Other Energy source	natural gas with conversion kit		
	Anglo-Saxon System		
Pressure (PSI)	21	to	50
Power (btu/h)	153000	to	259323
Consumption (lbs./h)	6.6	to	11.7
Air intake	1340 cu.ft/h	to	2400 cu.ft/h
CO emission vol %	0,0052	to	0,0021
CO <sub>2</sub> emission vol %	2,81	to	4
Noise level	<85 dbA		
Length	15 inches		
Weight	2.7 lbs.		
Energy source	Propane gas		
Other Energy source	natural gas with conversion kit		

- A -



- B -