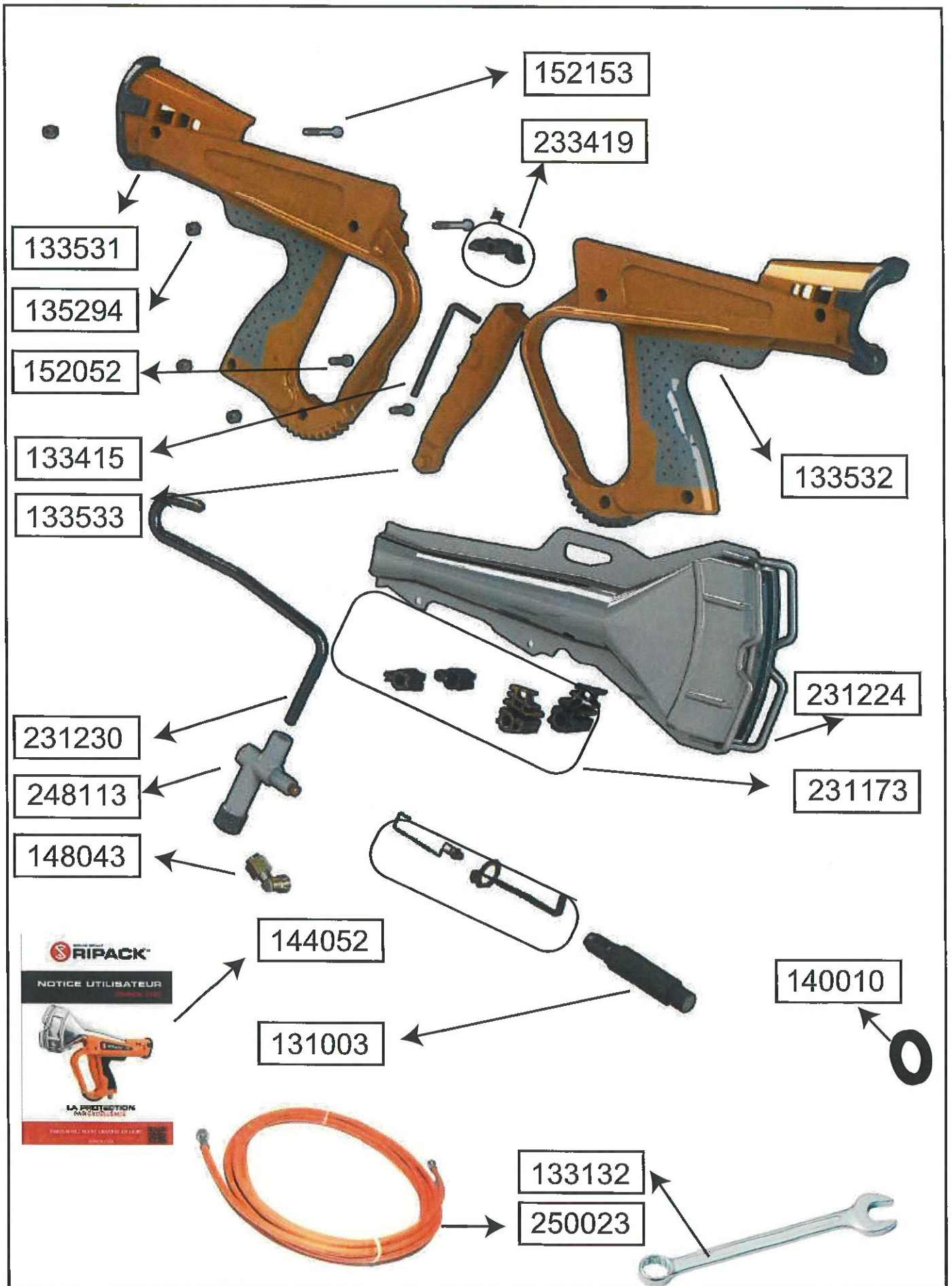




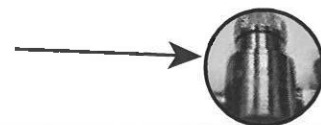
GRUPE SEFMAT





RIPACK® 2100



ART. CODE	DESCRIPTION
131003	Piezo igniter (for heat gun without extension wand)
133132	Wrench 19
133415	Allen key 3
133531	Half-handle - right
133532	Half-handle - left
133533	Trigger
135294	Spacer for handle
140010	Flat Seal for Regulator NF
144053	User's guide RIPACK 2100
152052	Screw CHc M 4 x 16
152153	Screw CHc M4x35
231224	Complete set combustion nozzle (spark plug+contact+spacers)
231230	Aluminium tube and jet / Ripack 2100
231173	Ensemble amortisseurs
233419	Pawl & Spring - Trigger lock
148043	Swivel connector
248113	Gas tap
250023	Rubber Hose, 8 m with connections 3/8L (int Ø 4)

**CHECK YOUR PRESSURE
REGULATOR NUMBER**



NF		← 131196
UNI		← 131199
DIN		← 131197
USBS		← 131198

PROPANE GAS APPLIANCE

TECHNICAL CHARACTERISTICS:

	SI SYSTEM
Pressure (bar)	2,5
Power (kW)	40 kW
Consumption (kg/h)	2,6
Air intake (m ³ /h)	36
CO emission vol %	0,001
CO ₂ emission vol %	2
Noise level	< 85 dbA
Length	36 cm
Weight	955 g
Energy source	Propane gas
	ANGLO-SAXON SYSTEM
Pressure (PSI)	29
Power (btu/h)	136 485
Consumption (lbs/h)	6
Air intake	1230 cu.ft/h
CO emission vol %	0,001
CO ₂ emission vol %	2
Noise level	< 85 dbA
Length	14 inches
Weight	2 lb
Energy source	Propane gas